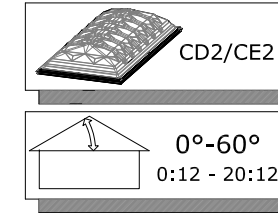
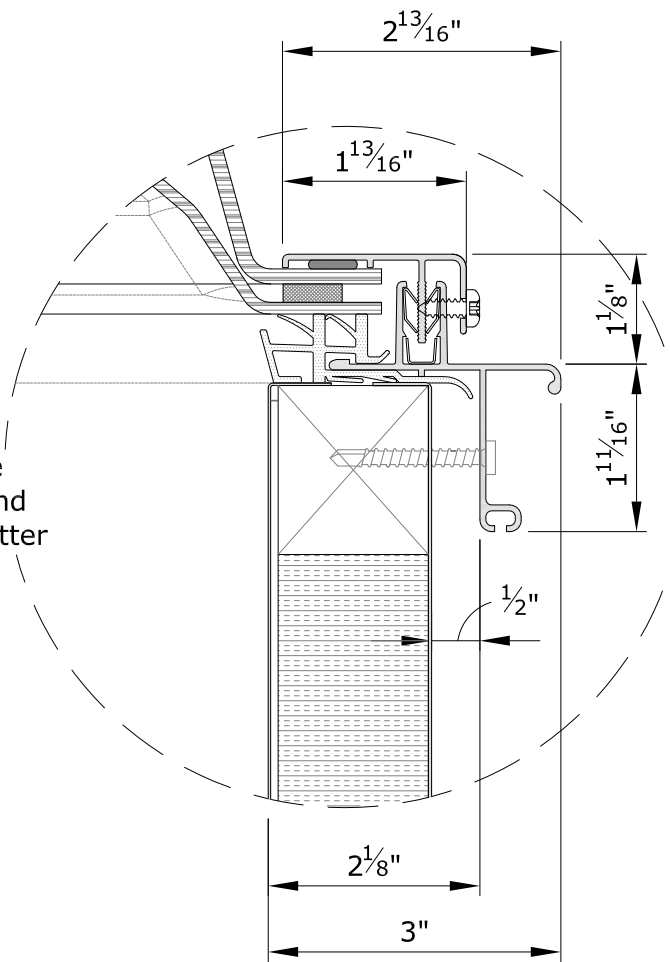
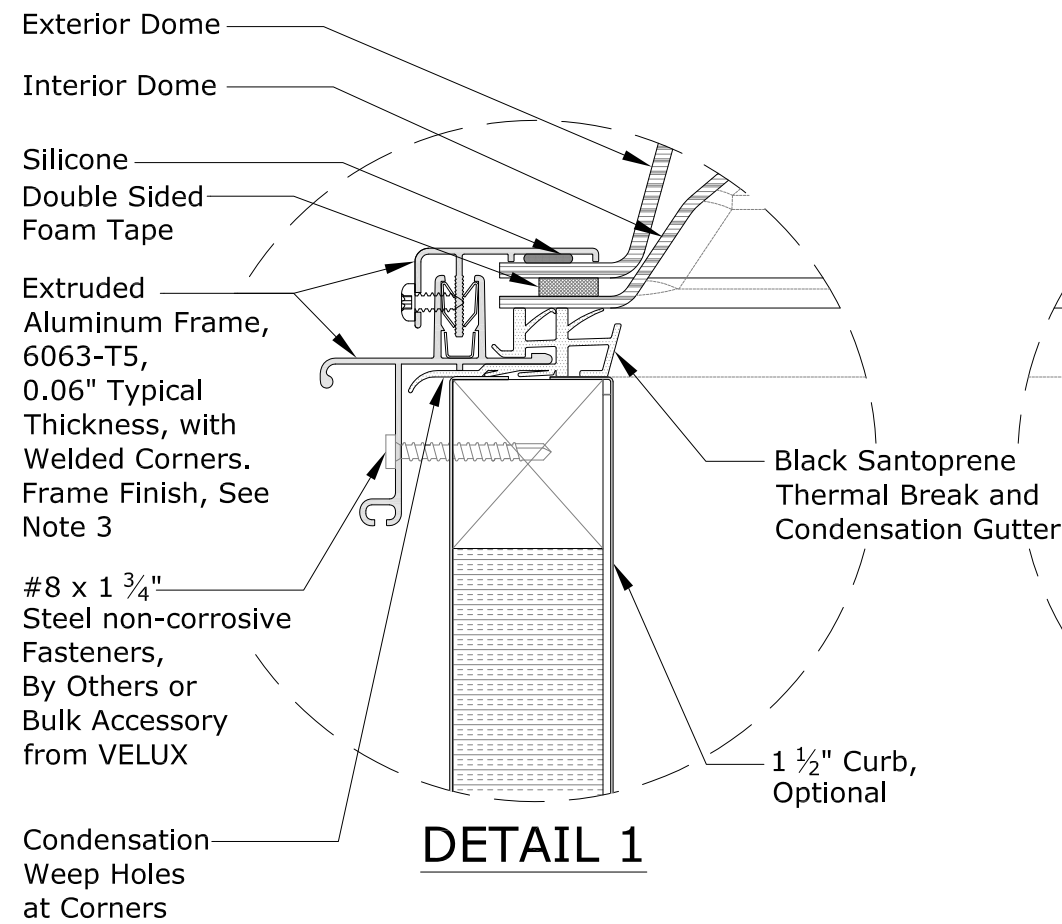
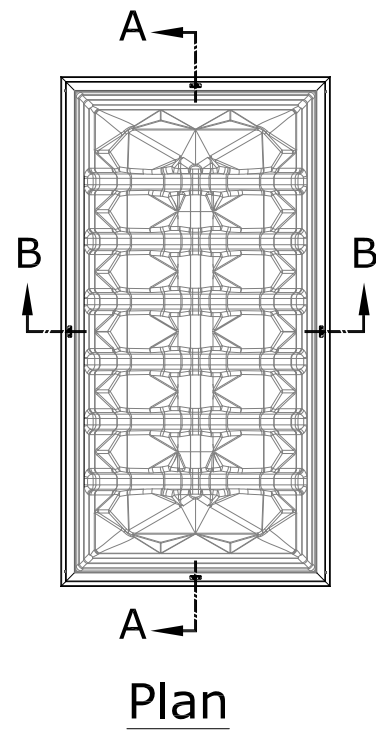
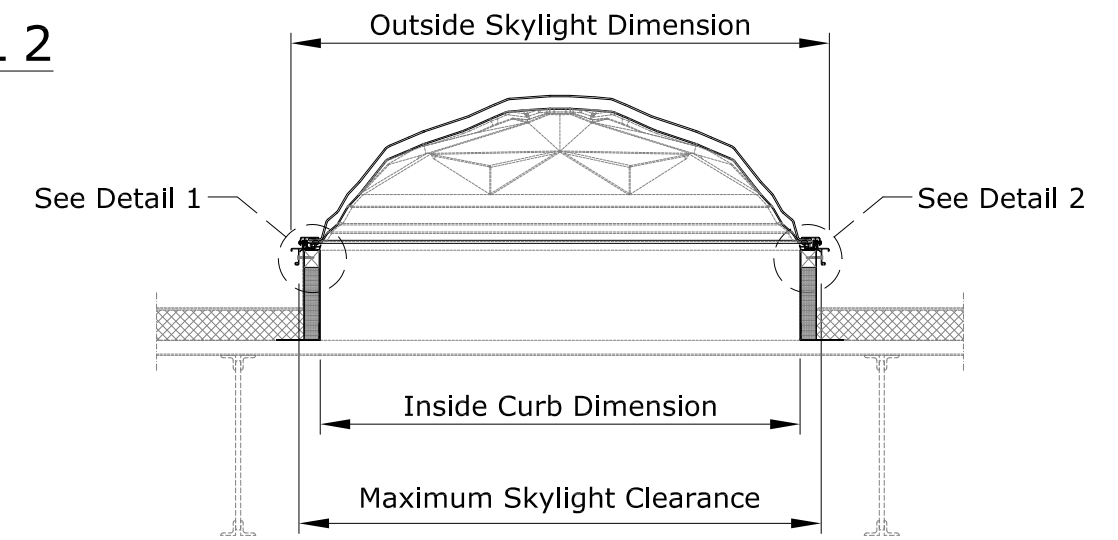
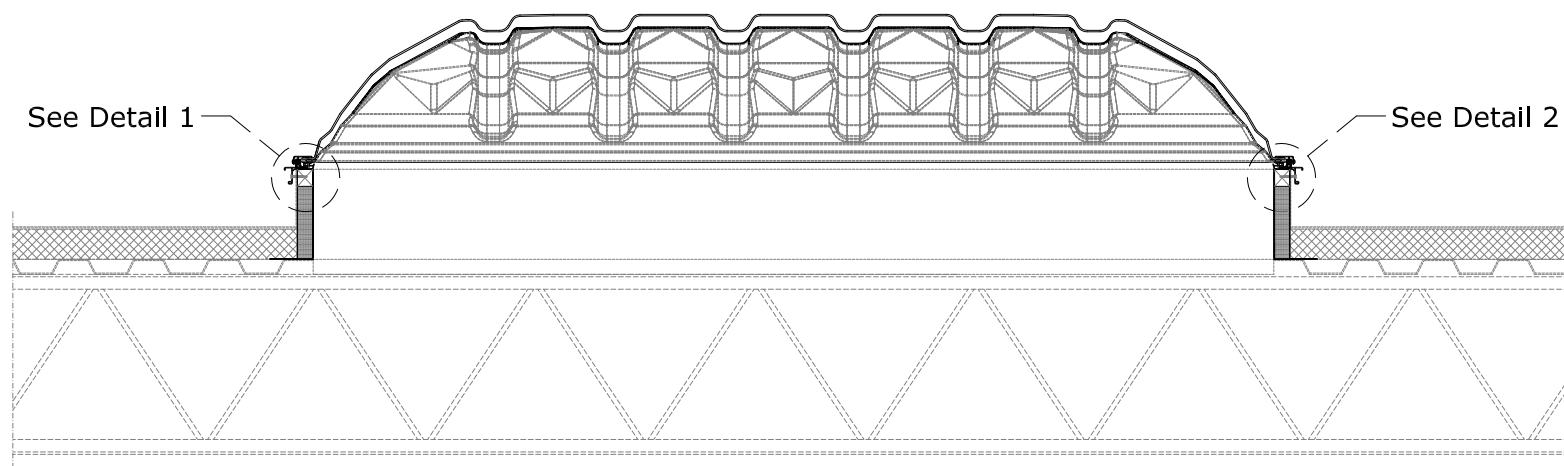


Dynamic Double Dome skylight



Dome Material	Dome Description and Designation	
IMA 0.150 100% IMA over 0.118 50% IMA	Clear Smooth / Prismatic White (1S1N2)	6x6 size only
	Clear Smooth / White Smooth (1S1T2)	
LuxGuard Plus 0.150 PC over 0.118 PC	Clear Smooth / White Prismatic (2P1C2) Clear Smooth / Clear Prismatic (2P1C1) White Smooth / Clear Prismatic (2P2C1)	Max size 5x10
	Clear / White Smooth (2P1P2) Whit Smooth / Clear Smooth (2P2P1)	6x6 size only
LuxGuard 0.118 PC over 0.118 PC	Clear Smooth / White Prismatic (3P1C2) Clear Smooth / Clear Prismatic (3P1C1) White Smooth / Clear Prismatic (3P2C1)	Max size 5x10
	Clear / White Smooth (3P1P2) Whit Smooth / Clear Smooth (3P2P1)	All sizes
Acrylic (Thickness varies By Size)	Clear Smooth / White Smooth (0A1A2) White Smooth / Clear Smooth (0A2A1) Bronze Smooth / Clear Smooth (0A4A1)	Max size 102"x153"
Infrared 0.118 EcoShade over 0.118 PC	EcoShade / Prismatic Clear (3I2C1)	Max size 5x10
	EcoShade / Clear Smooth (3I2P1)	6x6 size only

Size	Inside Curb Dimension	Maximum Skylight Clearance Dimension	Outside Skylight Dimension
2'	24"	28 1/4"	29 7/8"
3'	36"	40 1/4"	41 7/8"
4'	48"	52 1/4"	53 7/8"
5'	60"	64 1/4"	65 7/8"
6'	72"	76 1/4"	77 7/8"
8'	96"	100 1/4"	101 7/8"
10'	120"	124 1/4"	125 7/8"



GENERAL NOTES

1. This drawing emphasizes the VELUX CD2/CE2 Dynamic Dome Skylight. It illustrates a general arrangement layout (plus recommendations) for a VELUX CD2/CE2 installation in a 0-60 degree roof pitch application. The CD2/CE2 skylight installs directly on site built or prefabricated curbs.
2. The architectural/structural design and specifications for the inclusion of a commercial skylight, such as the VELUX CD2/CE2, in any roofing/ceiling application is determined and provided by others. The design criteria includes, but is not limited to design loads, structural configurations, structural framing member sizes and material, architectural finishes and integration with the roofing/ceiling systems of the building. VELUX recommends compliance by all designers and installers with all local and industry specific building codes and guidelines. VELUX assumes no responsibility or liability in the design, construction and performance of a building structure by others.
3. Model CD2 Frame is mill finish. Model CE2 Frame is powder coated neutral gray.

This drawing is an instrument of service and is provided for informational use only.

© 2016 VELUX GROUP



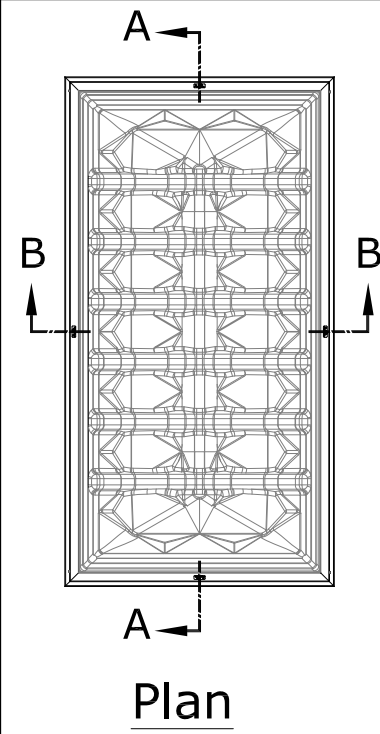
Sky-Global Product Management

VELUX
1418 Evans Pond Road
Greenwood, SC 29649
1-800-88-VELUX
www.VELUXUSA.com

Dynamic Double Dome Skylight

® VELUX is a registered trademark

Dynamic Single Dome skylight



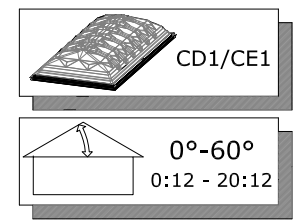
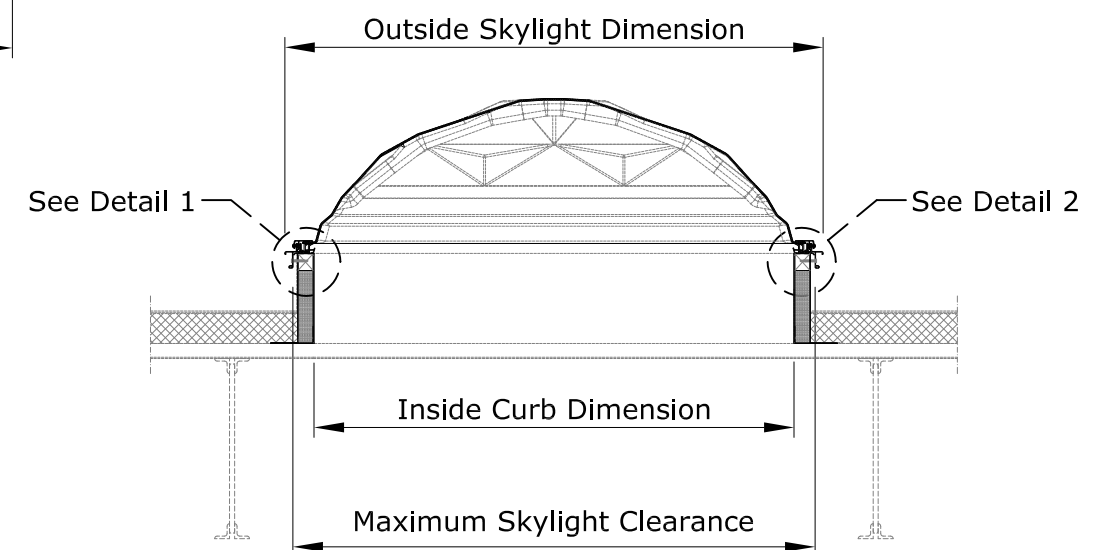
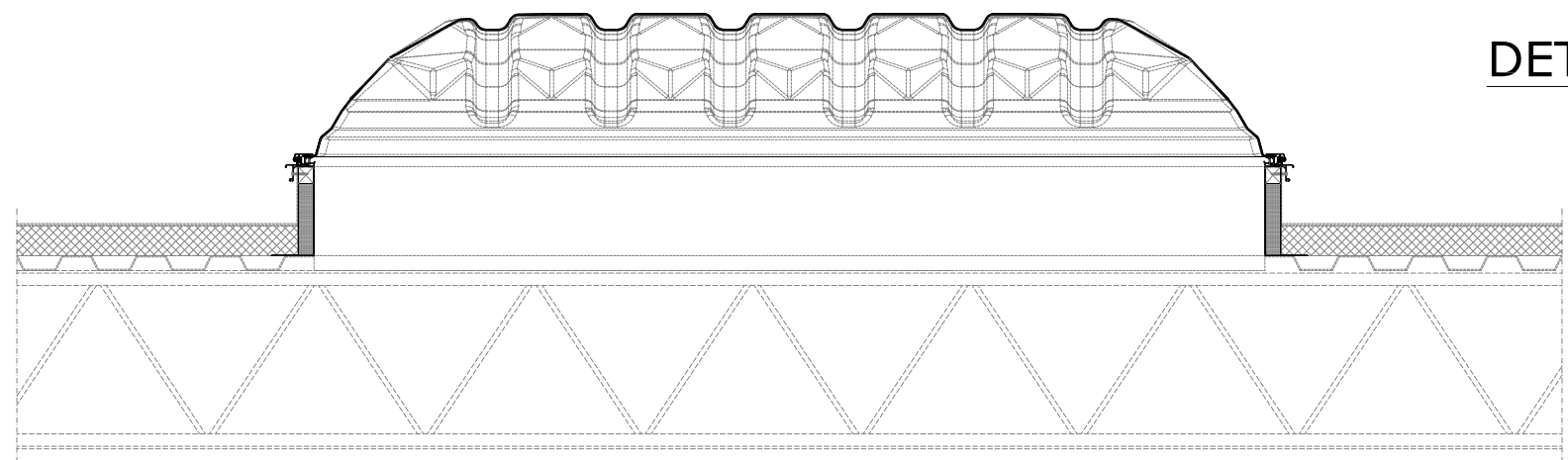
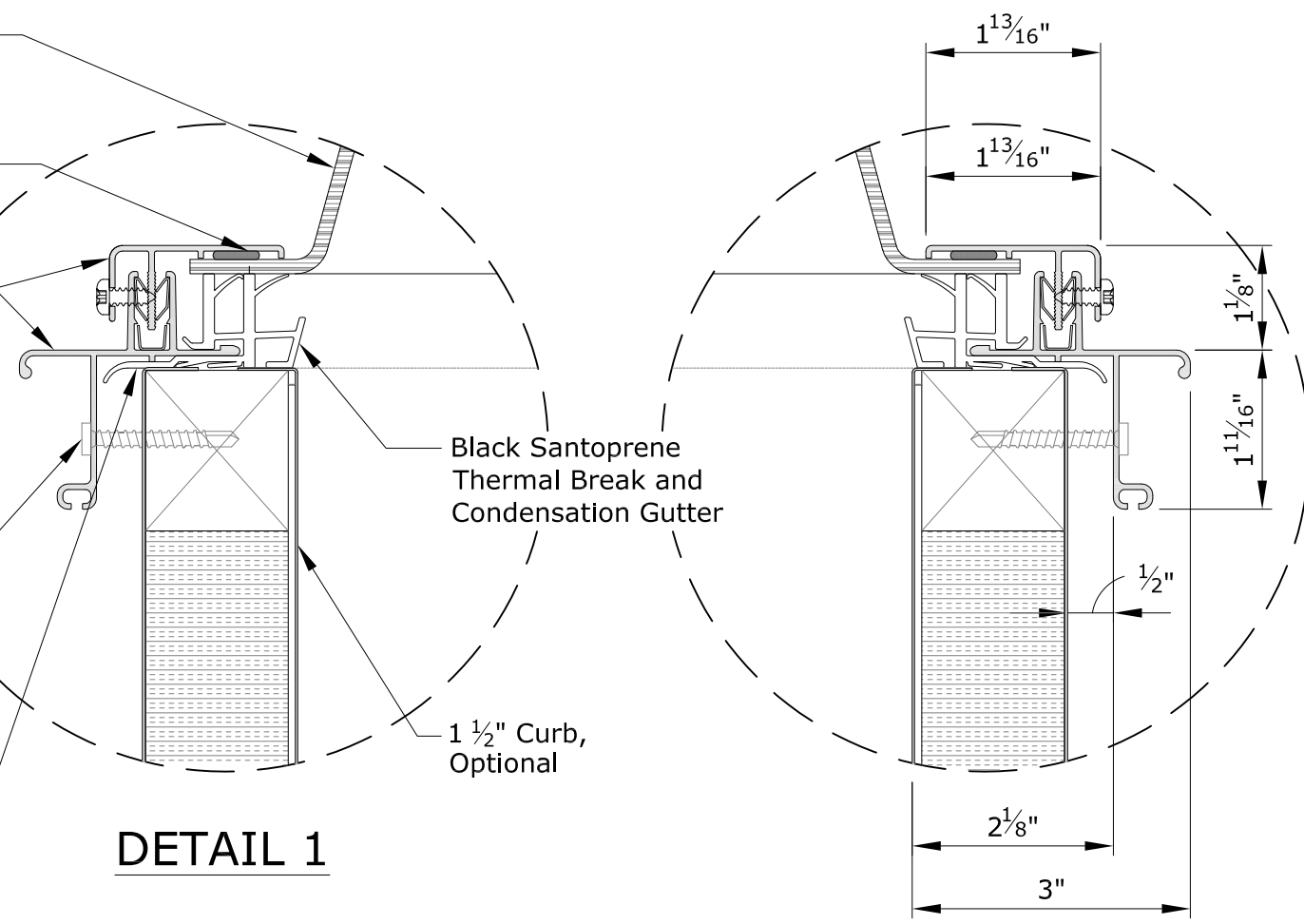
Exterior Dome

Silicone

Extruded Aluminum Frame, 6063-T5, 0.06" Typical Thickness, with Welded Corners. Frame Finish, See Note 3

#8 x 1 3/4" Steel non-corrosive Fasteners, By Others or Bulk Accessory from VELUX

Condensation Weep Holes at Corners



Dome Material	Dome Description and Designation	
LuxGuard 0.150	White Smooth (4P2)	Sizes larger than 4x8
0.150	Clear Smooth (4P1)	
LuxGuard 0.118	White Smooth (3P2)	Max size 4x8
0.118	Clear Smooth (3P1)	

Size	Inside Curb Dimension	Maximum Skylight Clearance Dimension	Outside Skylight Dimension
2'	24"	28 1/4"	29 7/8"
3'	36"	40 1/4"	41 7/8"
4'	48"	52 1/4"	53 7/8"
5'	60"	64 1/4"	65 7/8"
6'	72"	76 1/4"	77 7/8"
8'	96"	100 1/4"	101 7/8"
10'	120"	124 1/4"	125 7/8"

GENERAL NOTES

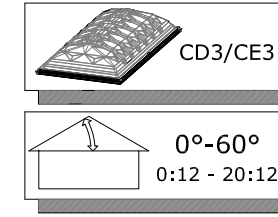
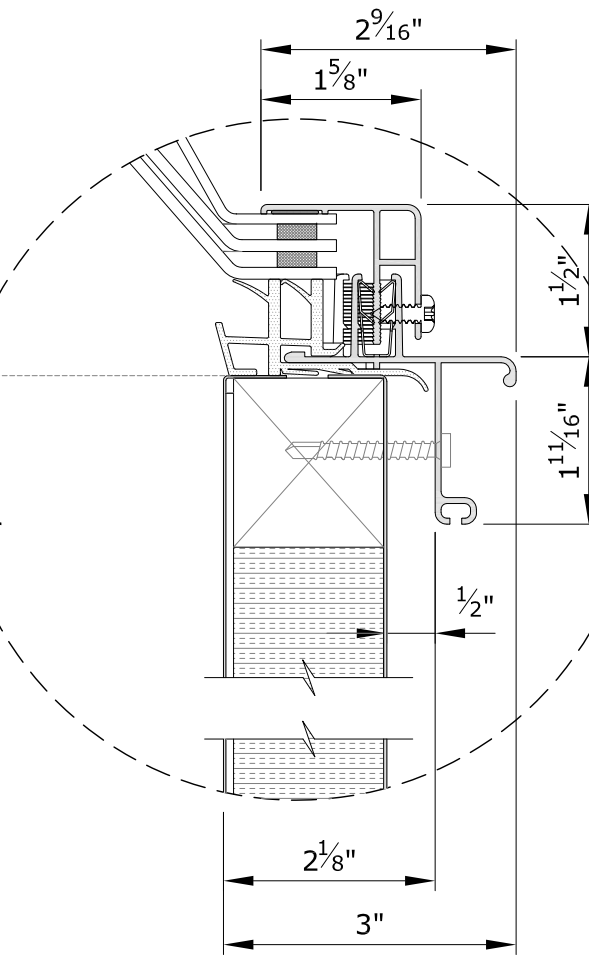
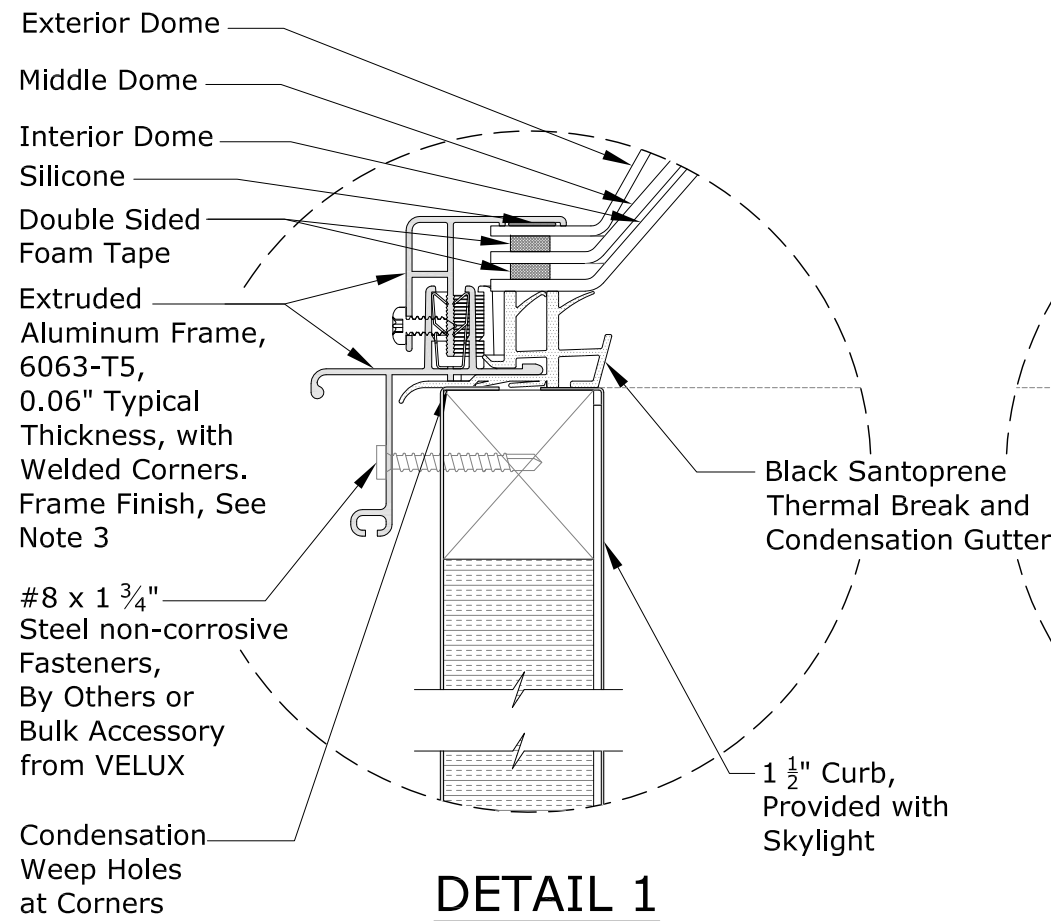
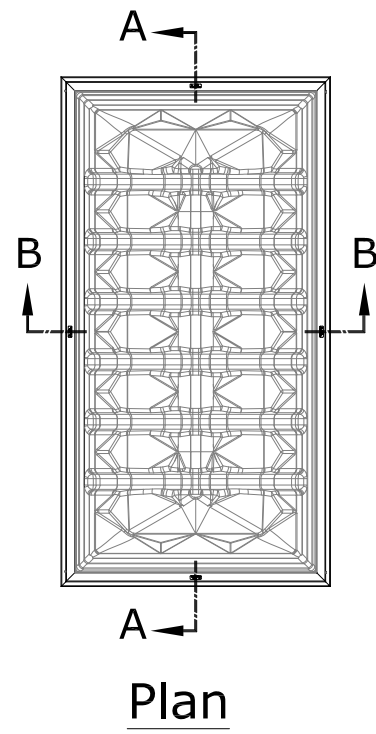
1. This drawing emphasizes the VELUX CD1/CE1 Dynamic Dome Skylight. It illustrates a general arrangement layout (plus recommendations) for a VELUX CD1/CE1 installation in a 0-60 degree roof pitch application. The CD1/CE1 skylight installs directly on site built or prefabricated curbs.
2. The architectural/structural design and specifications for the inclusion of a commercial skylight, such as the VELUX CD1/CE1, in any roofing/ceiling application is determined and provided by others. The design criteria includes, but is not limited to design loads, structural configurations, structural framing member sizes and material, architectural finishes and integration with the roofing/ceiling systems of the building. VELUX recommends compliance by all designers and installers with all local and industry specific building codes and guidelines. VELUX assumes no responsibility or liability in the design, construction and performance of a building structure by others.
3. Model CD1 Frame is mill finish. Model CE1 Frame is powder coated neutral gray.

This drawing is an instrument of service and is provided for informational use only.

1418 Evans Pond Road
Greenwood, SC 29649
1-800-88-VELUX
www.VELUXUSA.com

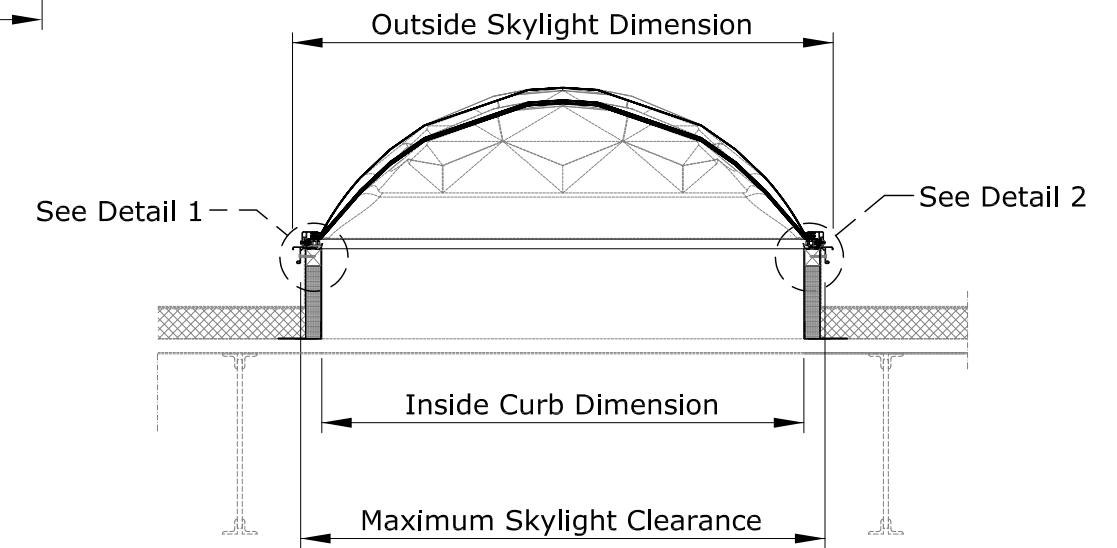
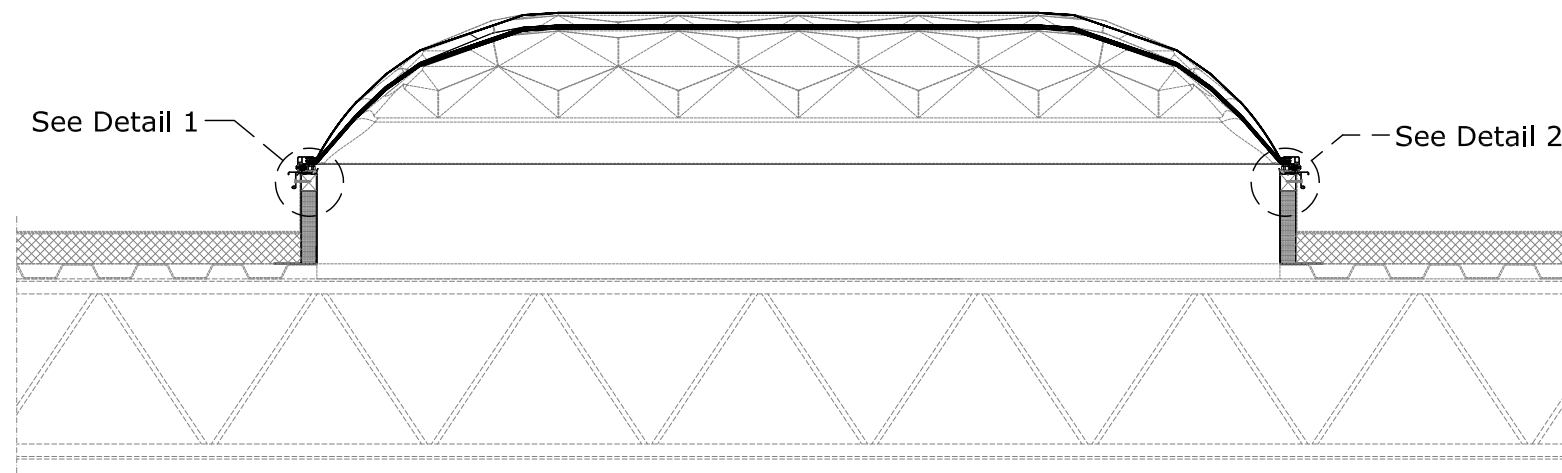
Dynamic Single Dome Skylight

Dynamic Triple Dome skylight



Dome Material	Dome Description and Designation	
LuxGuard 0.118 PC over 0.118 PC over 0.118 PC	Clear Smooth/Clear Smooth/White Prismatic (3P1P1C2) Clear Smooth/Clear Smooth/Clear Prismatic (3P1P1C1)	Max size 5x10
	Clear Smooth/Clear Smooth/White Smooth (3P1P1P2)	Max size 6x10

Size	Inside Curb Dimension	Maximum Skylight Clearance Dimension	Outside Skylight Dimension
2'	24"	28 1/4"	29 7/8"
3'	36"	40 1/4"	41 7/8"
4'	48"	52 1/4"	53 7/8"
5'	60"	64 1/4"	65 7/8"
6'	72"	76 1/4"	77 7/8"
8'	96"	100 1/4"	101 7/8"
10'	120"	124 1/4"	125 7/8"



GENERAL NOTES

1. This drawing emphasizes the VELUX CD3/CE3 Dynamic Dome Skylight. It illustrates a general arrangement layout (plus recommendations) for a VELUX CD3/CE3 installation in a 0-60 degree roof pitch application. The CD3/CE3 skylight installs directly on site built or prefabricated curbs.
2. The architectural/structural design and specifications for the inclusion of a commercial skylight, such as the VELUX CD3/CE3, in any roofing/ceiling application is determined and provided by others. The design criteria includes, but is not limited to design loads, structural configurations, structural framing member sizes and material, architectural finishes and integration with the roofing/ceiling systems of the building. VELUX recommends compliance by all designers and installers with all local and industry specific building codes and guidelines. VELUX assumes no responsibility or liability in the design, construction and performance of a building structure by others.
3. Model CD3 Frame is mill finish. Model CE3 Frame is powder coated neutral gray.

This drawing is an instrument of service and is provided for informational use only.

© 2016 VELUX GROUP



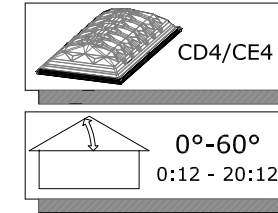
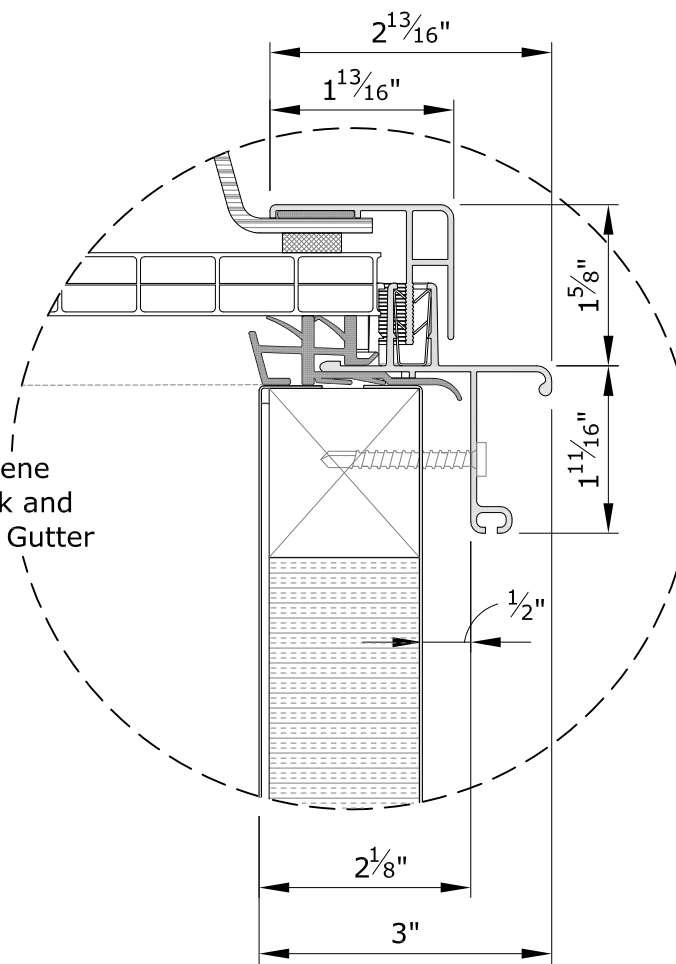
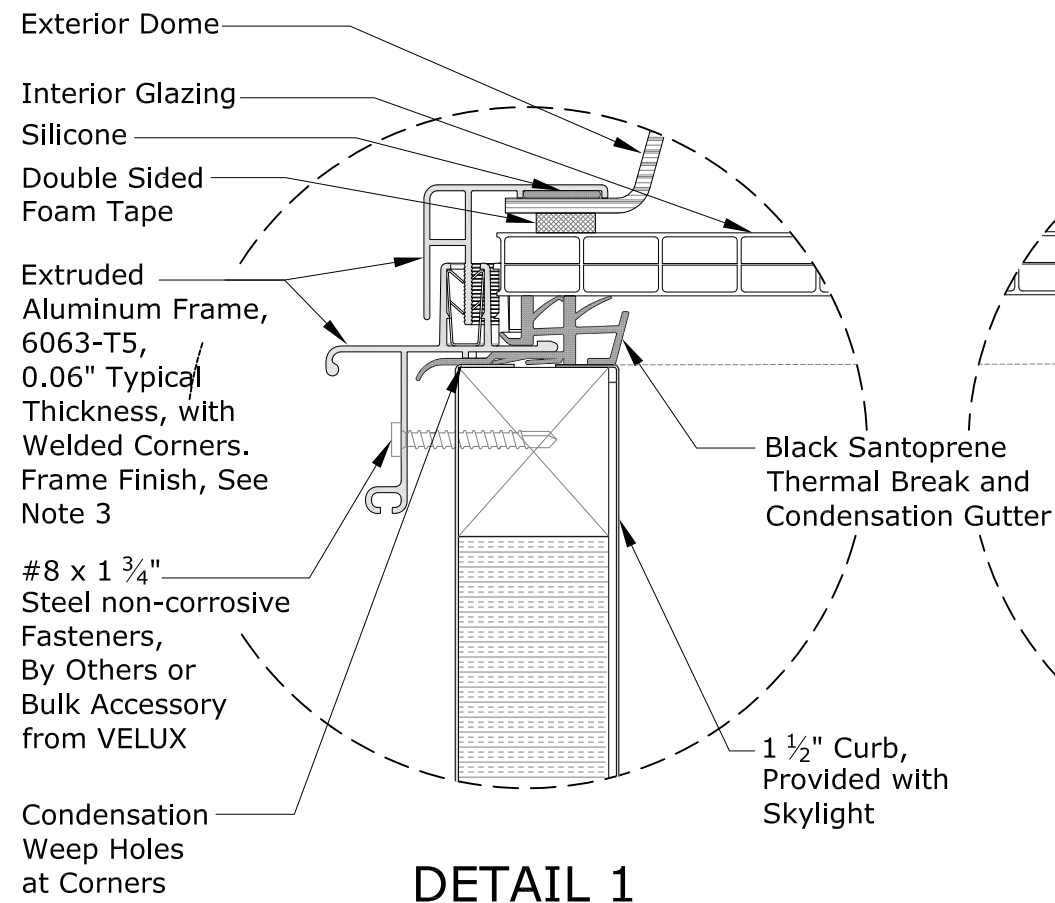
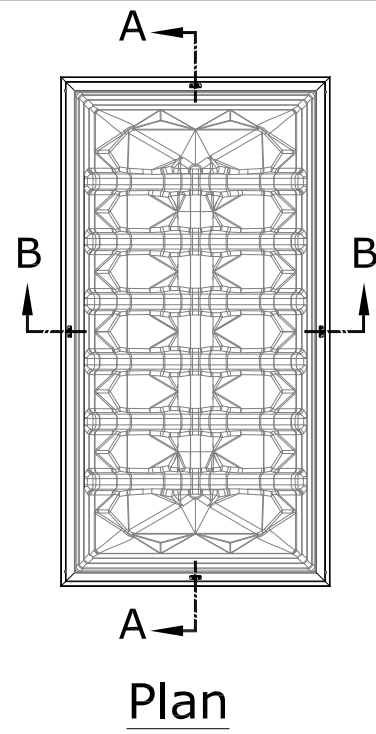
Sky-Global Product Management

VELUX
1418 Evans Pond Road
Greenwood, SC 29649
1-800-88-VELUX
www.VELUXUSA.com

Dynamic Triple Dome Skylight

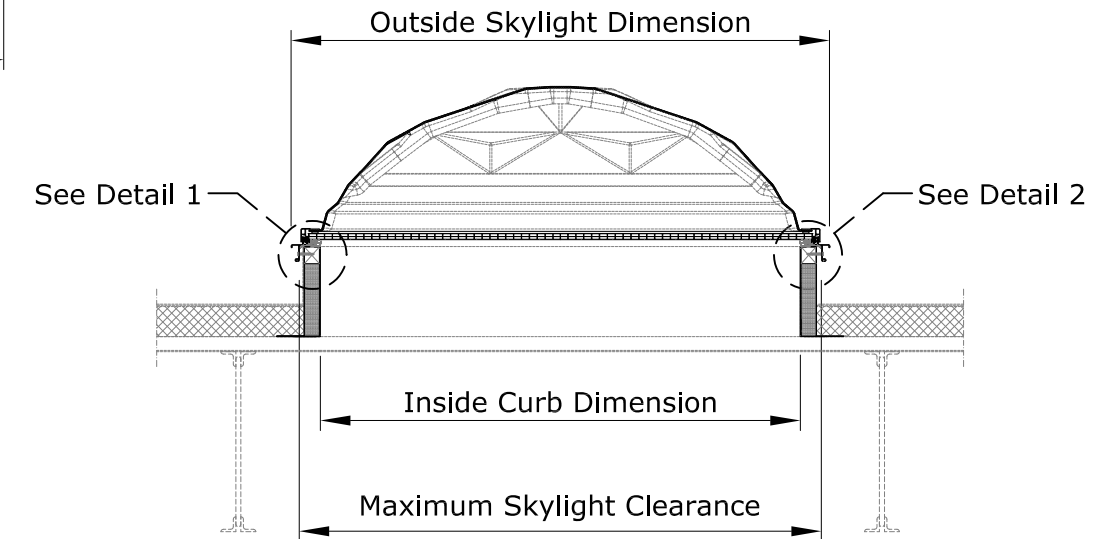
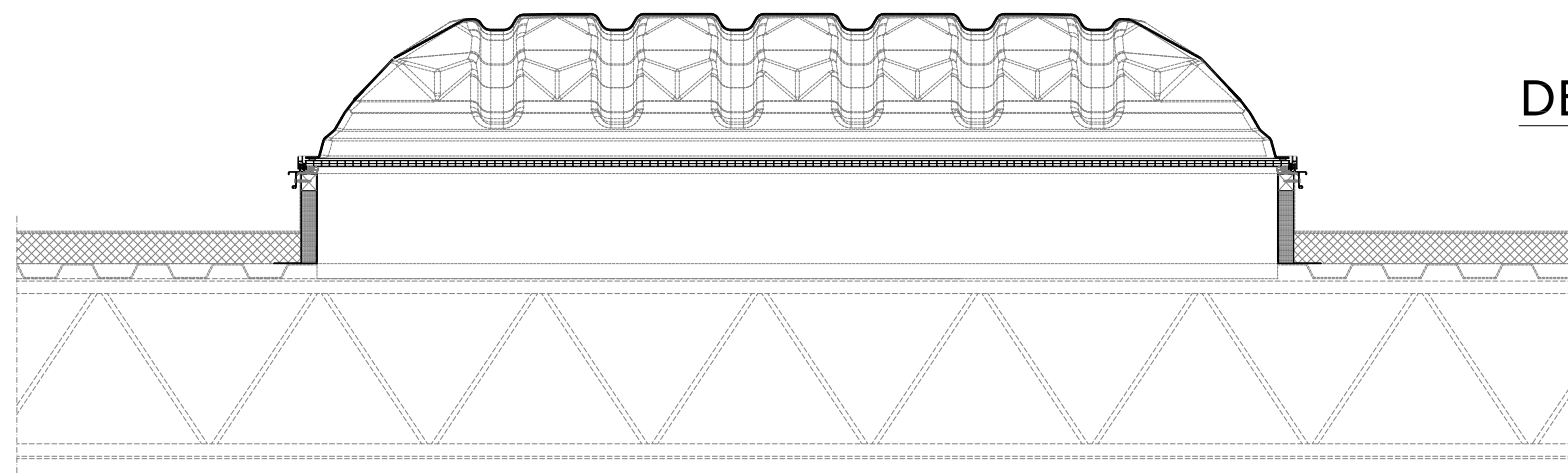
® VELUX is a registered trademark

Energy Dome skylight



Dome Material	Dome Description and Designation	
0.118 PC over 16mm Energy Material	Clear Smooth/Lumira (3P1L1) Clear Smooth/Multiwall (3P1W2)	Max size 5x8

Size	Inside Curb Dimension	Maximum Skylight Clearance Dimension	Outside Skylight Dimension
2'	24"	28 1/4"	29 7/8"
3'	36"	40 1/4"	41 7/8"
4'	48"	52 1/4"	53 7/8"
5'	60"	64 1/4"	65 7/8"
6'	72"	76 1/4"	77 7/8"
8'	96"	100 1/4"	101 7/8"



GENERAL NOTES

1. This drawing emphasizes the VELUX CD4/CE4 Dome Skylight. It illustrates a general arrangement layout (plus recommendations) for a VELUX CD4/CE4 Dome installation in a 0-60 degree roof pitch application. The CD4/CE4 Dome skylight installs directly on site built or prefabricated curbs.
2. The architectural/structural design and specifications for the inclusion of a commercial skylight, such as the VELUX CD4/CE4 Dome, in any roofing/ceiling application is determined and provided by others. The design criteria includes, but is not limited to design loads, structural configurations, structural framing member sizes and material, architectural finishes and integration with the roofing/ceiling systems of the building. VELUX recommends compliance by all designers and installers with all local and industry specific building codes and guidelines. VELUX assumes no responsibility or liability in the design, construction and performance of a building structure by others.
3. Model CD4 Frame is mill finish. Model CE4 Frame is powder coated neutral gray.

This drawing is an instrument of service and is provided for informational use only.

© 2016 VELUX GROUP

VELUX

Sky-Global Product Management

VELUX
1418 Evans Pond Road
Greenwood, SC 29649
1-800-88-VELUX
www.VELUXUSA.com

Energy Dome Skylight

® VELUX is a registered trademark