

Northlight 25 - 90°

Similar to longlights, northlights are bands of VELUX modular skylights. The characteristic upright design is primarily for installations that are directed towards the northern hemisphere for soft and reflected lighting. Northlight installations are applicable for pitch of 25 to 90°.

At the bottom, Northlights are mounted on a standard steel profile of 100 mm (not a VELUX component) and fixed with clamps holding the skylight in place. At the top, the brackets are fixed to the sub construction with screws meant for wood.

The prefabricated modular flashing ensures easy integration in the roof surface. All flashings are easily installed externally, eliminating the need for any interior work. The roof surface underneath the flashing must be appropriate for screw fixation.



Download
CAD & BIM
Objects

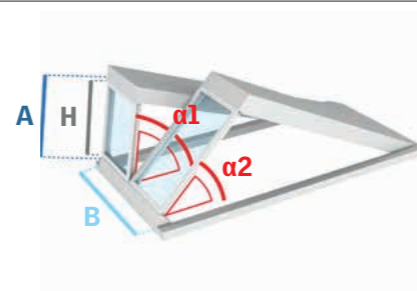


Sub-construction for northlight at velux.co.uk/modularskylights

Defining module size to your project

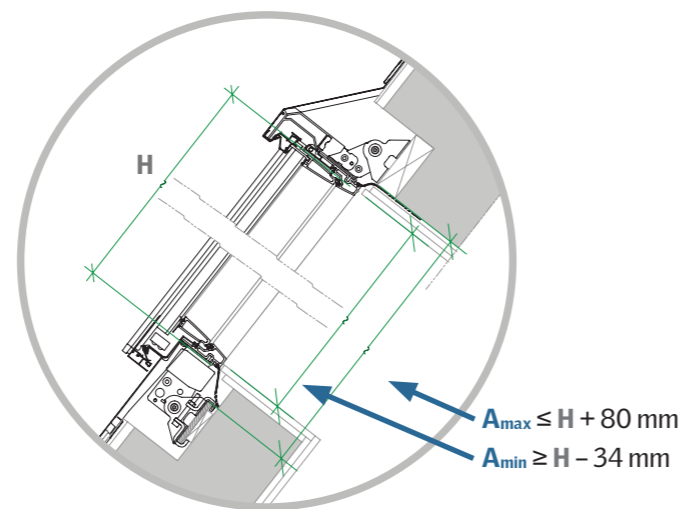
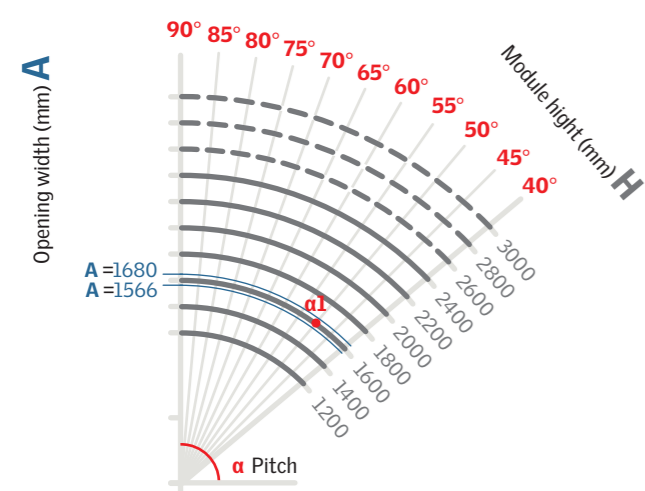
Example:
 $\alpha 1$: H = 1600 mm at installation pitch of 50°

A_{max} = 1680 mm
 A_{min} = 1566 mm



H: Module height
 α : Installation pitch
A: Opening width
B: Opening length

Installation pitch α



$A_{max} \leq H + 80$ mm
 $A_{min} \geq H - 34$ mm

Sectional Drawings

